



Date: 23.06.2021

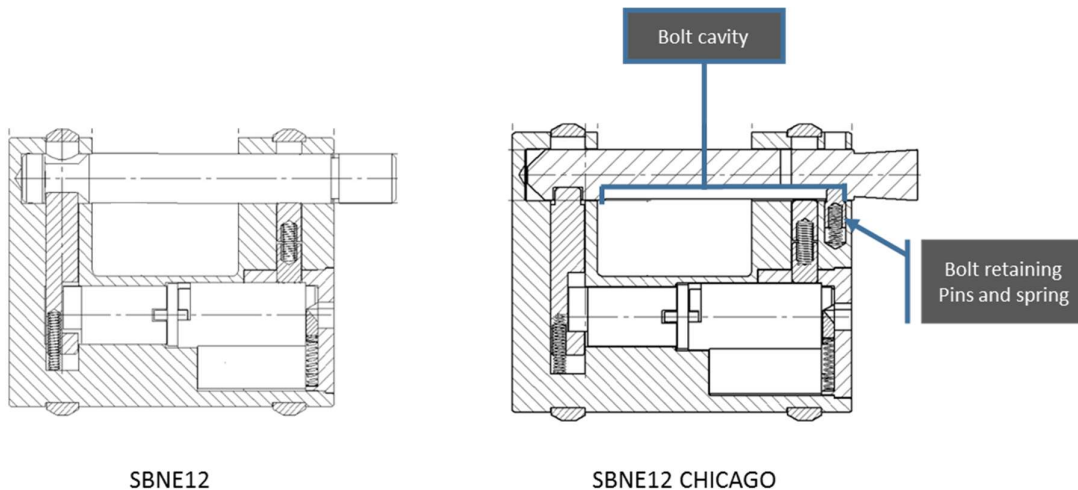
SBNE12 Padlock - Unified Configuration

As part of our continuous efforts for production efficiency and improvement of our high security padlocks, we have decided to standardize our SBNE12 offering.

Going forward, we will provide the markets with a single type of SBNE12 padlock, known as Chicago version.

This improved version enhances padlock durability & reliability.

A separate mechanism, which is not related to the open–close operation, ensures the proper functionality of the bolt in extreme environmental conditions, such as dust and freezing, and keeps our high-security padlock up-to-date against different attack methods.



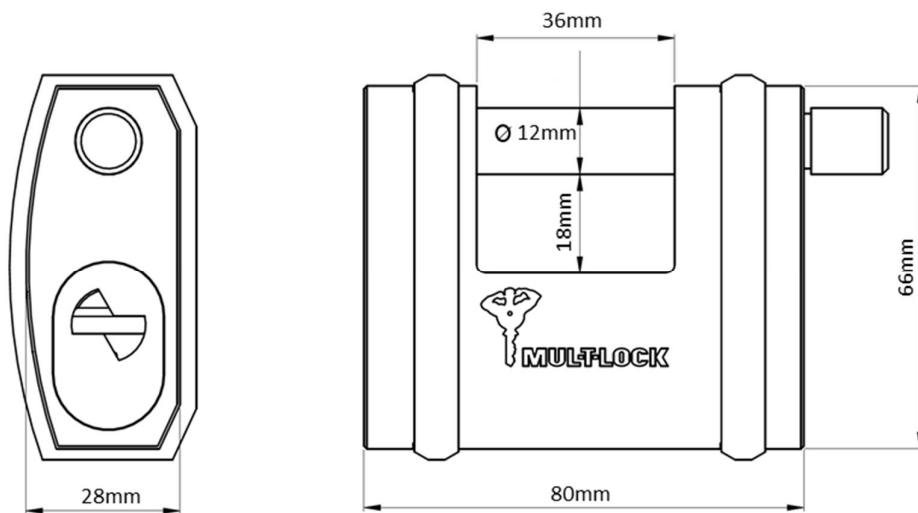
PRODUCT UPDATE



Transition and supply **only** of the improved version, planned for August 2021.

New PNs will be established on a case by case basis.

All dimensions (clearance, opening & shackle diameter) remain the same. See the drawing below.



You can continue selling the SBNE12 until EOS.

Please note that the parts of SBNE12 and SBNE12 Chicago are **not** compatible. Therefore, those holding unassembled stock should take the necessary actions to minimize the effect on their stock.

Mul-T-Lock will support this transition and keep the current SBNE12 price list.

