

No. 241

Date: 19.12.2011

SH300 The Best That Happened To Our **4-Way lock**

In our online update (# 239) we have detected a mistake in some of the kits part number.



We take this opportunity also to emphasize some more important points:

Please specify in each order the following:

- The door thickness for kit **A**.
- Required finish for the hardware set (NC, NST, GOLD) and the type of handles (i.e lever-operated or Fixed) for kit **B**.

Example: if you need a Gold Finish set & lever-operated handles for a door which is 60 mm thick, you will need to specify p/n 26510262 (for the **A** kit) and also p/n 26510250 (for the **B** kit).

The box has place for both, so they can go to the user/installer as a complete set.

We will create new part numbers for the complete sets (containing both kits **A+B**) according to every kits combination required.

Please note that it is also possible to order each kit separately (**A** or **B**).

Please contact your Export Sales Coordinator for more information.

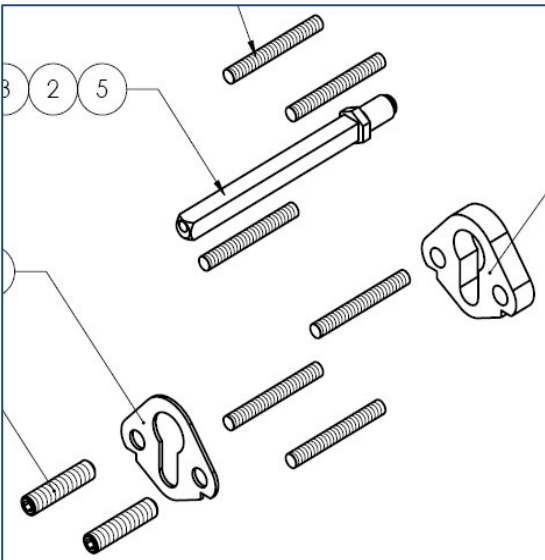


MUL-T-LOCK®

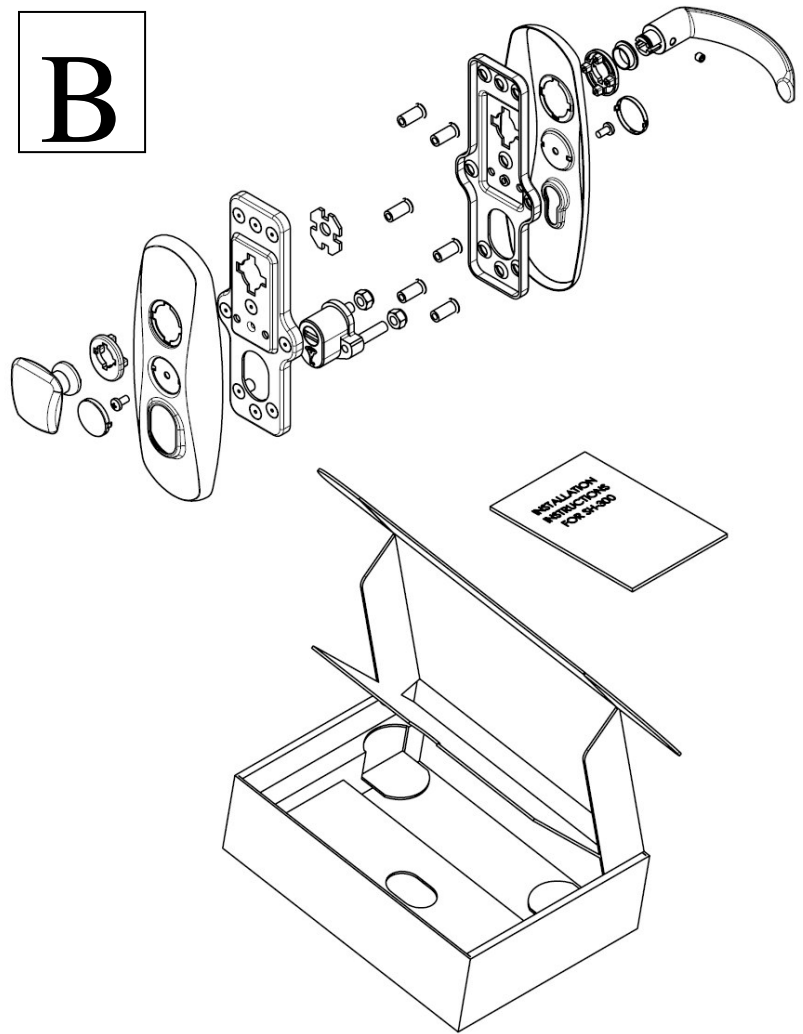
ON LINE UPDATE

Tech. Update

A



B



Lever-operated	Finish	NC	NST	GOLD
Door Thickness	P/N "A"	26510200	26510240	26510250
40-45	26510264	+ B	+ B	+ B
50-55	26510260	+ B	+ B	+ B
60-65	26510262	+ B	+ B	+ B
70-75	26510263	+ B	+ B	+ B

Fixed handle	Finish	NC	NST	GOLD
Door Thickness	P/N "A"	26510210	26510245	26510255
40-45	26510271	+ B	+ B	+ B
50-55	26510270	+ B	+ B	+ B
60-65	26510272	+ B	+ B	+ B
70-75	26510273	+ B	+ B	+ B