



MUL-T-LOCK®

ON LINE UPDATE

Tech. Update

No. 239

Date: 22.11.2011

SH300 the best thing that happened to our **4way lock.**

The next generation of cover plates (Escutcheons) for our multi point locks is here.

In addition to its hi-tech look it offers the market many advantages we are confident you will come to like.

The first one is adjustable C.C distance – this is the distance between the center of the handle spindle to the cylinder plug center.



It can easily be adjusted from 85 to 90 mm simply by flipping over the handle neck bushing – this will enable you to use it for the 210 lock series as well as for the 265 lock.

The next challenge when fitting it to a door is the various door thickness's – to overcome this we are offering the product in a nice box that will also include the studs connecting the outside plate with the inside – to get the right one you will need to indicate two part numbers as explained on the next page...

Every order needs to specify one P/N to indicate the **A** package needed (will be effected by the relevant door thickness) and also one part number **B** that will be effected by the different finish required,

For example: if you want a gold finish set for a door that is 60 mm thick, you will need to order p/n 26510262 and also p/n 26510250 the box has place for both – so they can go to the user/installer as a complete set.

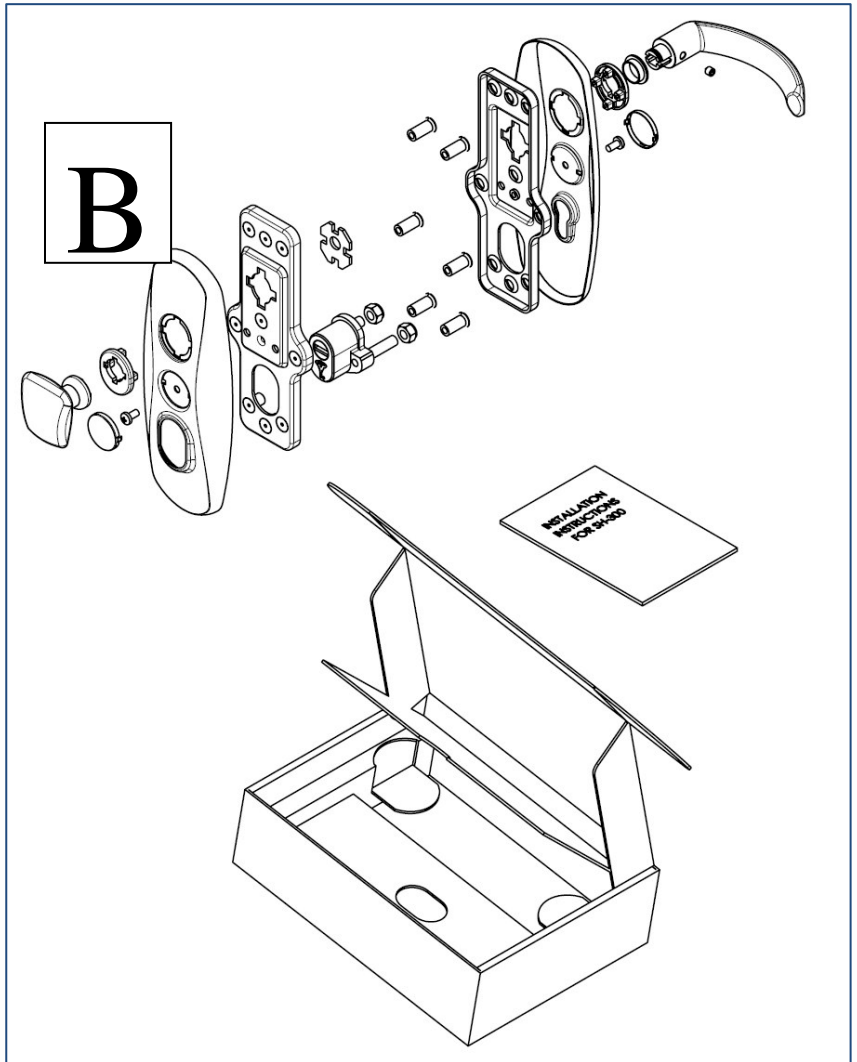
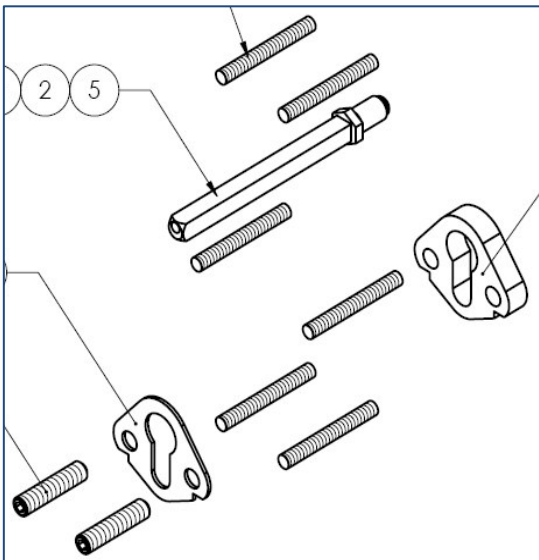


MUL-T-LOCK®

ON LINE UPDATE

Tech. Update

A



Moving/ Moving	Finish	NC	NST	GOLD
Door Thickness	P/N "A"	26510200	26510240	26510250
40-45	26510264	+ B	+ B	+ B
50-55	26510260	+ B	+ B	+ B
60-65	26510262	+ B	+ B	+ B
70-75	26510263	+ B	+ B	+ B

Fix / Moving	Finish	NC	NST	GOLD
Door Thickness	P/N "A"	26510210	26510245	26510255
40-45	26510223	+ B	+ B	+ B
50-55	26510213	+ B	+ B	+ B
60-65	26510224	+ B	+ B	+ B
70-75	26510225	+ B	+ B	+ B