

No. 313

Date: 28.02.2023

## Modular Knob Plug

We are pleased to announce the launch of our new modular Knob Plug kit, which completes the modular kit for Euro profile cylinders.

This innovative solution enables you to streamline your inventory and provide faster service to your customers.

With the introduction of our new modular Knob Plug kit, our locksmiths will no longer need to order Knob Plugs based on specific lengths.

The new Knob Plug kit consists of three main components:

- Modular Knob Plug
- Modular Knob Plug Connector
- Modular Knob Plug Head



These three components can be used to create Knob Plugs in all required cylinder lengths.

Simply connect the Modular Knob Plug with the Connector using the metal pin, cut the Connector to the appropriate length, and connect the Modular Knob Plug Head in the designated hole type, as instructed in the table below.

To ensure maximum cost-effectiveness, we recommend using the **modular knob body**.



## Modular Knob Plug

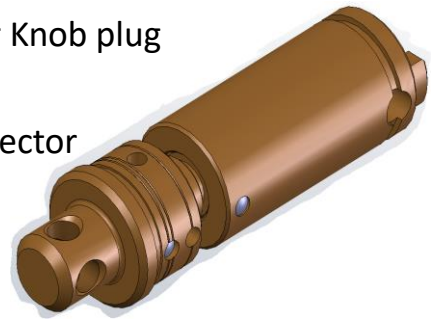
35012012 – Groove pin SS 2X12



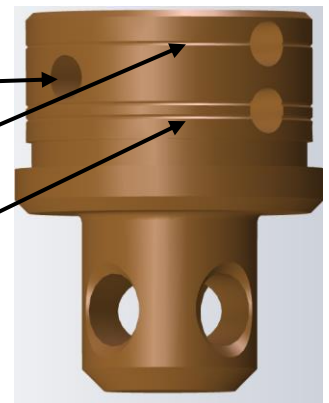
84400277 – Modular Knob plug

84400278 – Modular knob plug connector

84400276 – Modular knob plug head



Modular body length side	Lengths	Hole type
31 mm	36-76 mm	No groove
33 mm	38-78 mm	One groove sign
35 mm	40-80 mm	Two grooves sign



**For orders – please use P/N 84400300 – Modular Knob Plug Kit**