



No. 235  
Date: 14.07.2011



## Updates for 7x7 platform

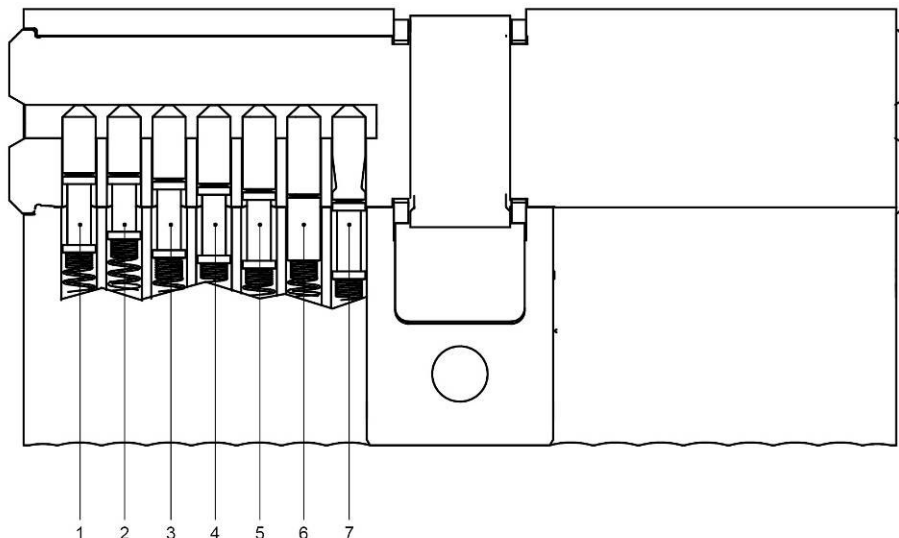
### Driver pins

As part of our process of ongoing product development, we have changed the driver pin content in our 7x7 cylinders by substituting one driver pin with a smooth stainless steel pin.

This change will improve the stability of the cylinder when inserting the key into the keyway.

In any servicing process or reassembly of a cylinder with new driver pins, assemble the driver pins as follows (see illustration):

- **6 mm mushroom pin** (Brass) will be assembled in chambers 1,3,4,5 and 7
- **5 mm mushroom pin** (Brass) will be assembled in chamber # 2
- **5 mm smooth pin** (St. Steel) will be assembled in chamber # 6





### **More Side pins**

A while back we announced the option of adding side pins to the 7x7 platform.

At that time we added 4 side pins, in order to increase the ability to design larger master suites when using this platform.

The fifth side pin was recently added and it is now possible to design master suites using up to 5 side pins.

We are currently in the process of updating our range of products with this change so in the near future you may notice parts with or without this change (i.e. plugs or cylinder bodies).

The Masterpiece software is updated with this option. In order to use it you will have to request a new license and to reinstall the Masterpiece software using the new license file.

Prior to starting to design a system using 5 side pins please verify that this change was adapted to the products required.

**Please note! The 076 keyway cannot take any side pins or side cuts – but the Masterpiece software will do it if asked – it is a "bug" that will be fixed in the future...remember side pins on 7x7 is only possible on pre assigned keyways (any but the 076...) and anywhere 7X7 is mentioned – it applies to Integrator as well.**

