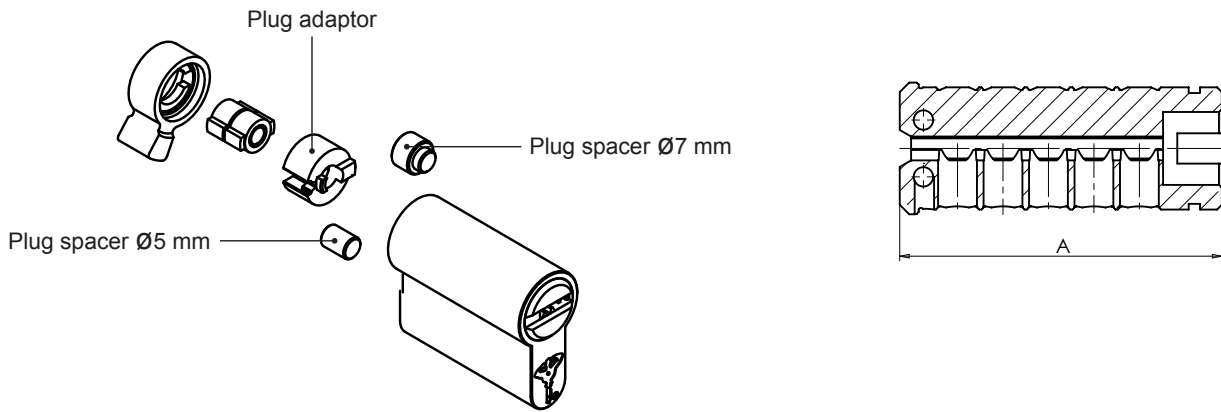


Spacers and adaptors according to cylinder length



Cylinder Side	Plug (A - mm)	Plug Spacer (mm)	Plug Spacer (P/N)	Plug Adaptor (mm)	Plug Adaptor (P/N)	Thumbturn plug (P/N)
31	31.0	-	-	-	-	83000214
33	32.5	-	-	-	-	83000215
35	34.5	Ø7x2	80000322	-	-	83000217
38	37.5	Ø7x5	88000018	-	-	83000219
40	32.5	Ø5x7	88000051	7	80100612	83000220
43	32.5	Ø5x10	88000052	10	80100613	83000222
45	32.5	Ø5x12	88000053	12	80100614	83000223
48	32.5	Ø5x15	88000054	15	80100615	83000226
50	32.5	Ø5x17	88000055	17	80100616	83000227
53	32.5	Ø5x20	88000056	20	80100617	83000229
55	32.5	Ø5x22	88000057	22	80100618	83000230
58	32.5	Ø5x25	88000058	25	80002027	83000232
60	32.5	Ø5x27	88000059	27	80002028	83000233
63	32.5	Ø5x30	88000060	30	80002029	83000235
65	32.5	Ø5x32	88000061	32	80002031	83000236
68	32.5	Ø5x35	88000062	35	80002032	83000237
70	32.5	Ø5x37	88000063	37	80002033	83000238
75	32.5	Ø5x42	88000065	42	80002035	83000239
80	32.5	Ø5x47	88000067	47	80002037	83000240

Thumbturn cylinder

Two types of stopping pins covers the entire range of cylinders:

- Standard length – 23.5 mm long (P/N 83000036)
- For Thumbturn cylinder with **key side** of 35 mm - the stopping pin has a ticker head and with an over whole length of 25.5 mm (P/N 83000061)

Thumbturn plug is changing in accordance with cylinder length (See Table).

