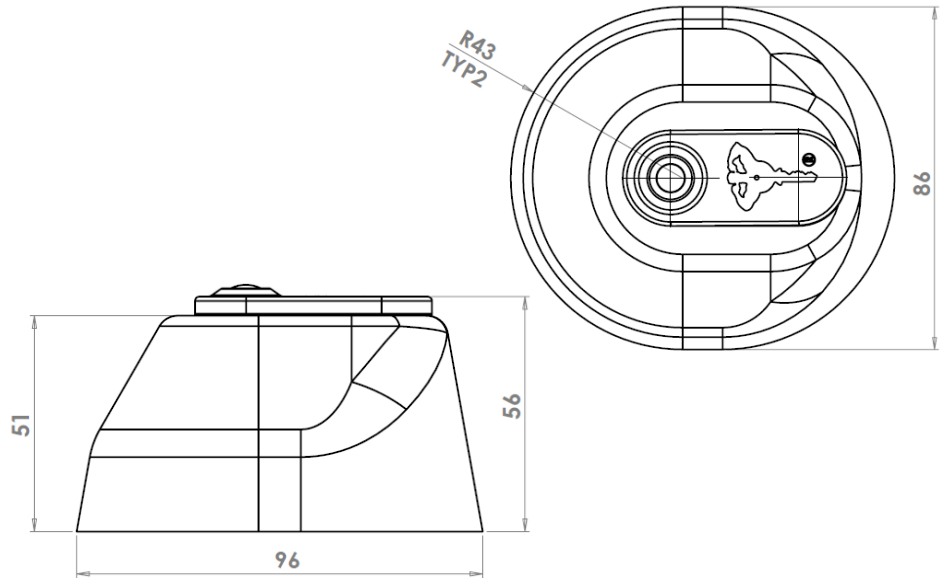


MVP™3000



Function

MVP™3000 was designed to fortify the security of commercial vehicles, in particular, those carrying goods and equipment. Simple to install and use, MVP™3000 fits almost any type of vehicle door, both rear and sliding.

Applications

Using a slam-locking system, MVP™3000 is applied to commercial vehicle cargo compartment doors and can be used for other applications with similar needs or structure, for example: entrance doors (single or double), electrical cabinets etc.

Options

- Automatic slam-to-lock
- Dust cover
- Keyless locking – slam to lock
- Robust stainless steel lock structure
- Emergency opening by stainless steel pull cable (for rear doors)

Material

Body: High precision stainless steel casting

Cylinder mechanism

Mul-T-Lock's unique, high precision pin tumbler system

Keys

Reversible nickel silver key with plastic key head and colored insert for identification

Cylinder options

- MTL™300, MTL™400, MTL™600, MTL™800
- Keyed different
- Keyed alike
- Master keyed